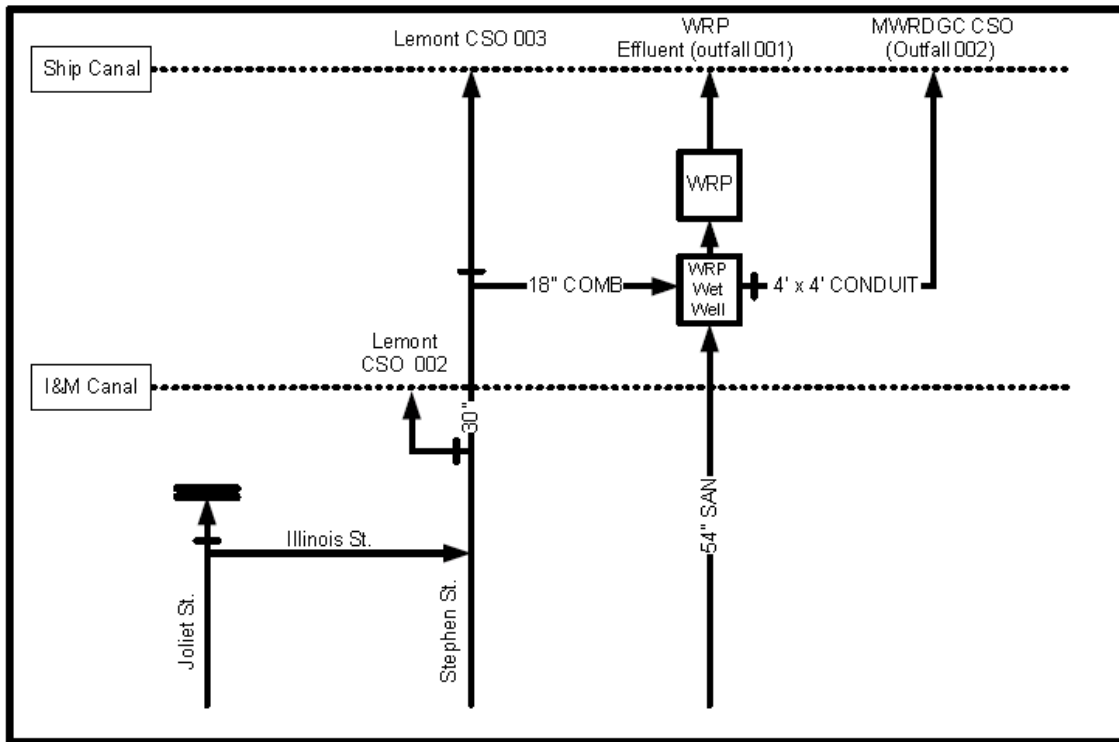


Attachment

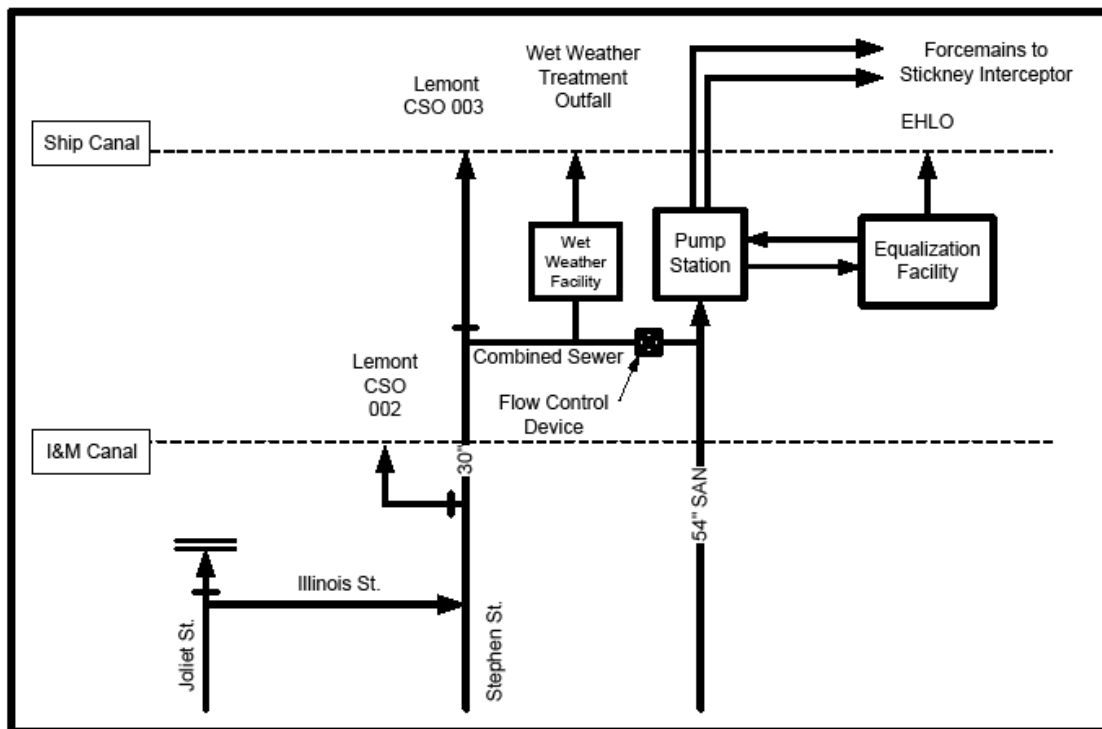
Figure 1 Sewer System Schematic for Existing Conditions



Notes

- (1) The CSO located at the I&M Canal and Joliet St. Was plugged in August 2002

Figure 2 Sewer System Schematic for Proposed Conditions



Notes:

- 1) The CSO at the I&M Canal and Joliet St. was plugged in August 2002
- 2) "EHLO" stands for Emergency High Level Overflow
- 3) Wet weather facility consists of primary treatment and disinfection